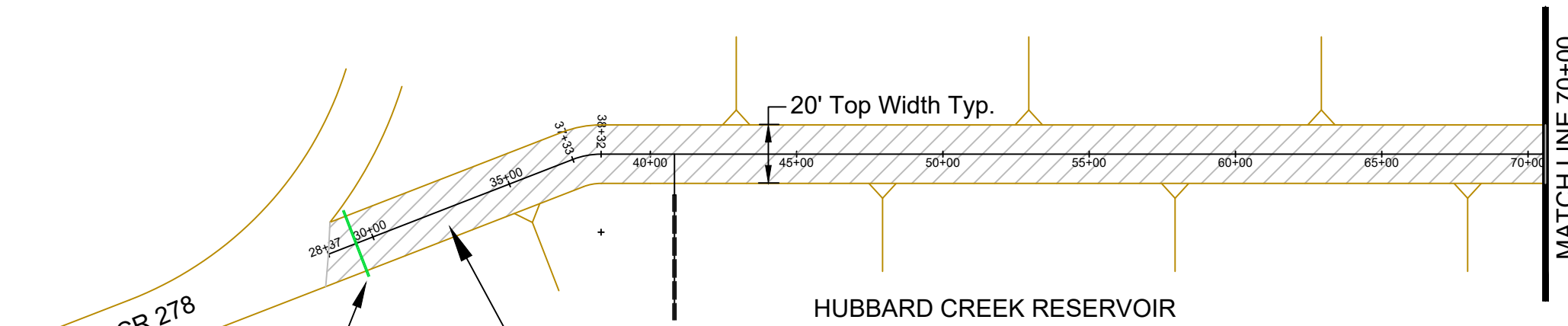
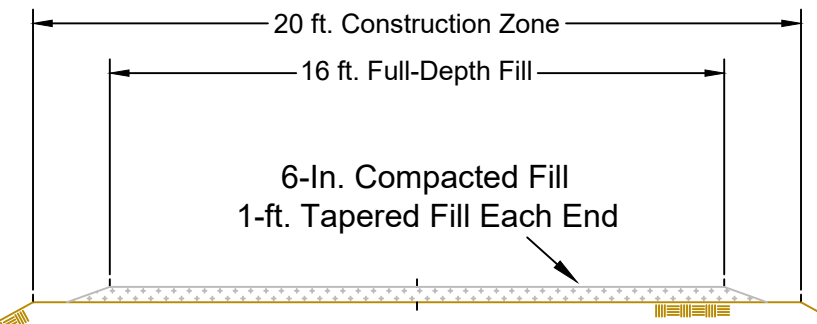


Hubbard Creek Reservoir Dam - Roadway Improvements

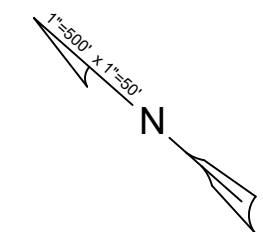
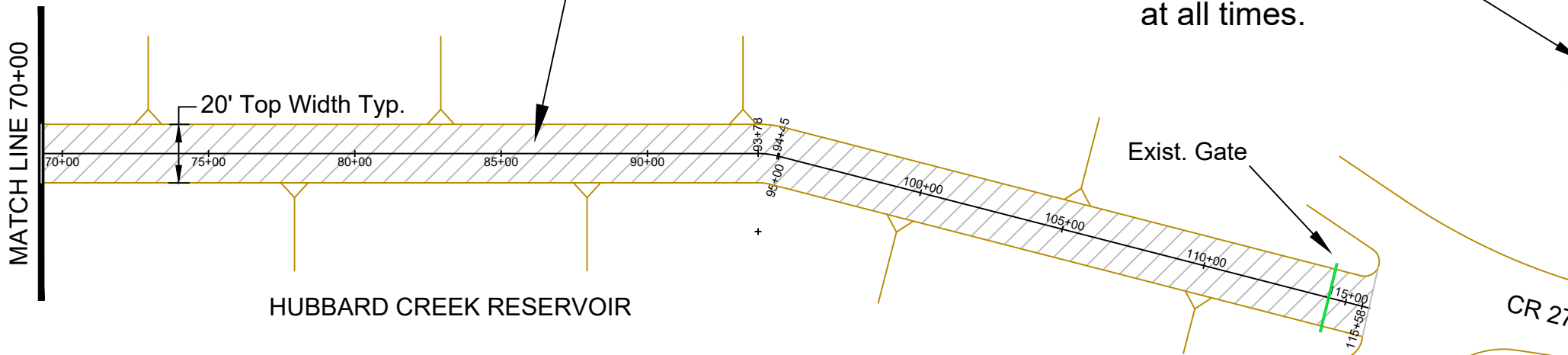


Contractor shall make sure the existing gates at both ends of the Construction Zone remain locked at all times when Workmen are not present.

CAUTION:
A 3:1 slope is present on both sides of the dam beyond the Construction Zone. Contractor shall limit his activities to the confines of the Construction Zone at all times.



TYPICAL CROSS-SECTION
(Not to Scale)



Overall Length is Approximately 8,720 L.F.

C. L. Wingert
P.E. 58416
12/27/22