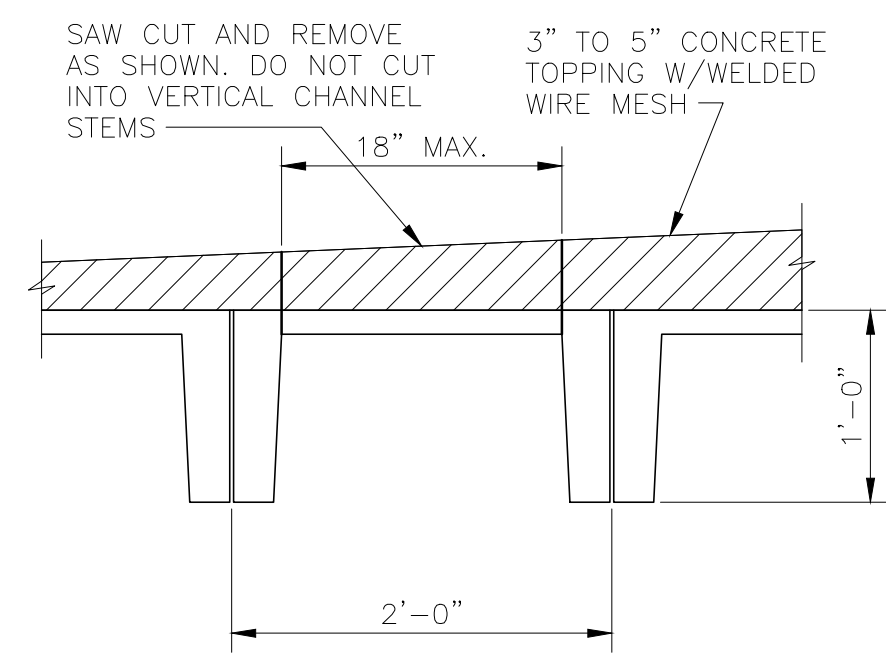


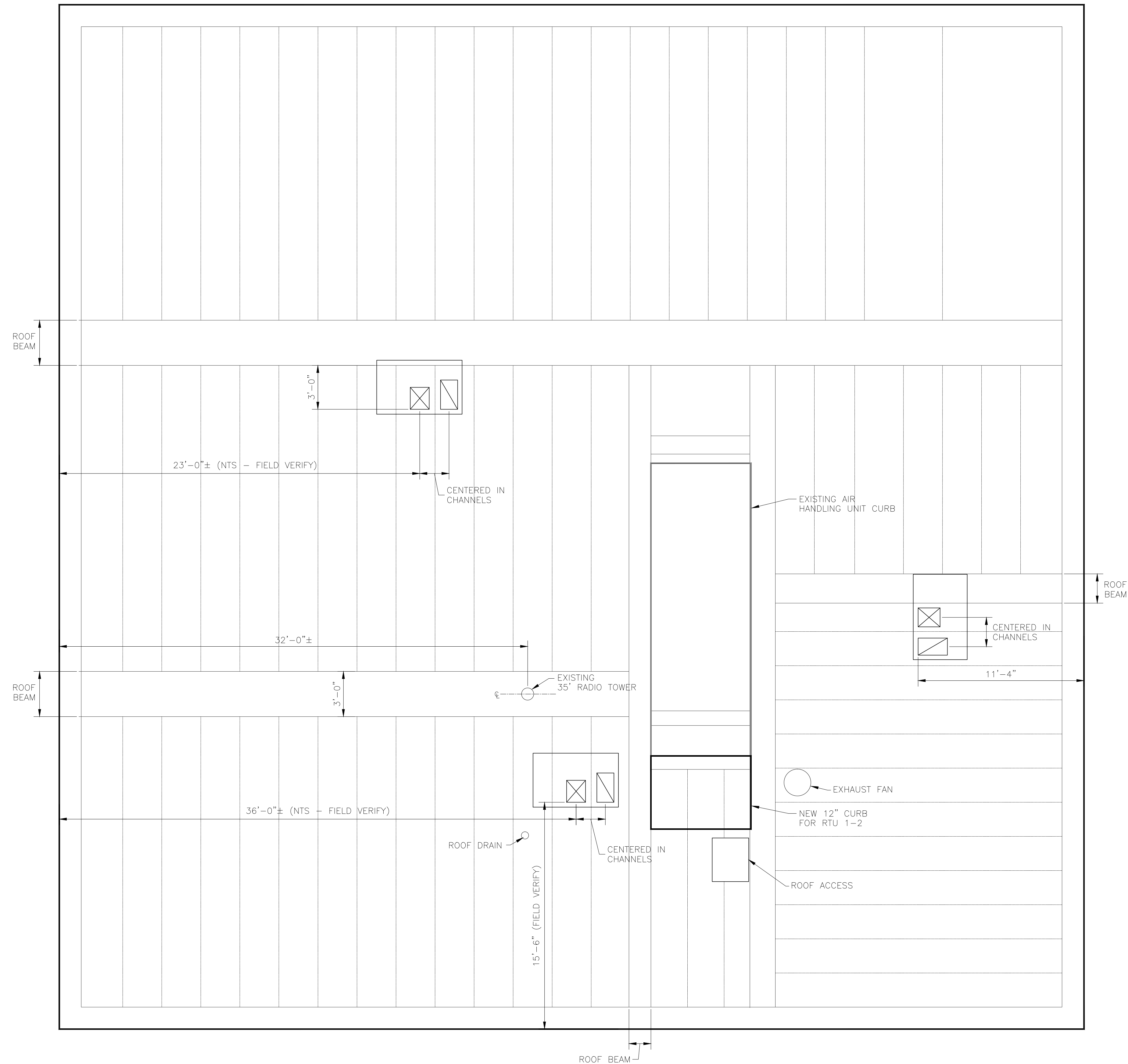
2 SAW CUT PLAN
SCALE: 1"=1'-0"



3 PRECAST CONCRETE CHANNEL DETAIL TYPICAL
SCALE: 1"=1'-0"

NOTES:

1. RTU's 2-1, 2-2, 2-3 shall be mounted on standard roof curbs.
2. RTU's 1-1 and 1-3 shall be placed on the existing Air Handling Unit curb system.
3. RTU 1-2 shall be placed on a new 12" channel curb system or similar to match the existing curb system.
4. Once the existing Air Handling Unit is removed it is the contractor's responsibility to properly flash or otherwise repair the air handler curb system to accommodate the new RTU's.
5. Roofing system is a tar and gravel built-up roof.
6. Contractor is responsible for placing roof curbs and patching and repairing the roof system.



1
S1.1/S1.1

ROOF STRUCTURAL DEMO

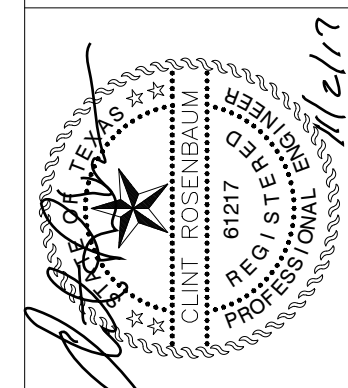
SCALE: 1/4"=1'-0"

EXISTING CONDITIONS NOTE:
EXISTING WORK, EXISTING CONDITIONS AS INDICATED ON THESE DRAWINGS WERE TAKEN FROM THE OWNER'S RECORD DRAWINGS AND/OR SITE VISITS AND ARE PROVIDED TO THE CONTRACTOR AS AN AID IN ASCERTAINING THE SCOPE OF HIS WORK. NEITHER THE OWNER, THE ARCHITECT, NOR THE ENGINEER GUARANTEES THE ABSOLUTE ACCURACY OR CONDITIONS INDICATED HEREIN. VARIATIONS OF THE EXISTING CONDITIONS FROM THAT INDICATED ON THE DRAWINGS COULD IN ALL PROBABILITY OCCUR. IT SHALL BE THE RESPONSIBILITY OF THE CONTRACTOR TO VISIT THE JOB SITE PRIOR TO THE BID TO MAKE INVESTIGATIONS/VERIFICATIONS AS NECESSARY TO DETERMINE THE COMPLETE EXTENT OF THE WORK REQUIRED. THE CONTRACTOR SHALL ADVISE THE ARCHITECT/ENGINEER OF ANY DISCREPANCIES PRIOR TO SUBMITTING HIS BID. AFTER BID DATE, IT SHALL BE THE RESPONSIBILITY OF THE CONTRACTOR TO PROVIDE COMPLETE, OPERABLE SYSTEMS AND CONSTRUCTION PER PLANS AND SPECIFICATIONS ALL AT NO ADDITIONAL COST TO THE OWNER OR ARCHITECT/ENGINEER.

SCALE: AS SHOWN	
BY	DATE
DRAWN	TPL 10/29/17
CHECKED	CDR 10/31/17
APPROVED	CDR 10/31/17

2017 HVAC RENOVATIONS
WEST CENTRAL TEXAS MUNICIPAL WATER DISTRICT
410 HICKORY STREET
ABILENE, TEXAS
STRUCTURAL ROOF PLAN

Rosenbaum Engineering, PLLC
Abilene, Texas
www.rosenbaumeng.com



DRAWING NUMBER

S1.1